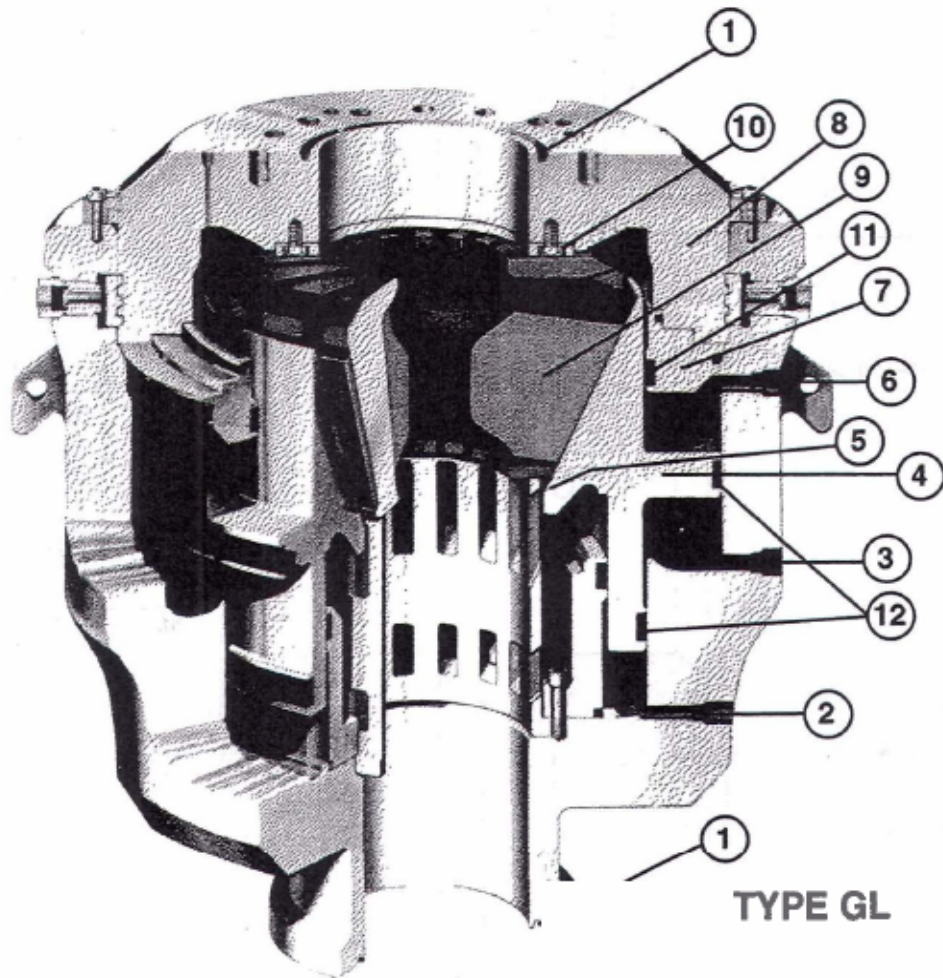


Match the items listed to the numbers as found on the following diagram



- | | |
|--|--------------------------|
| Ring Grooves | <input type="checkbox"/> |
| Opening Chamber Hydraulic Connection | <input type="checkbox"/> |
| Piston Bowl | <input type="checkbox"/> |
| Latched head | <input type="checkbox"/> |
| Primary Closing Chamber Hydraulic Connection | <input type="checkbox"/> |
| Wear Plate | <input type="checkbox"/> |
| Secondary Closing Chamber Hydraulic Connection | <input type="checkbox"/> |
| Piston | <input type="checkbox"/> |
| Opening Chamber head | <input type="checkbox"/> |
| Packing Unit | <input type="checkbox"/> |
| Opening Chamber Head Seal | <input type="checkbox"/> |
| Piston Seals | <input type="checkbox"/> |