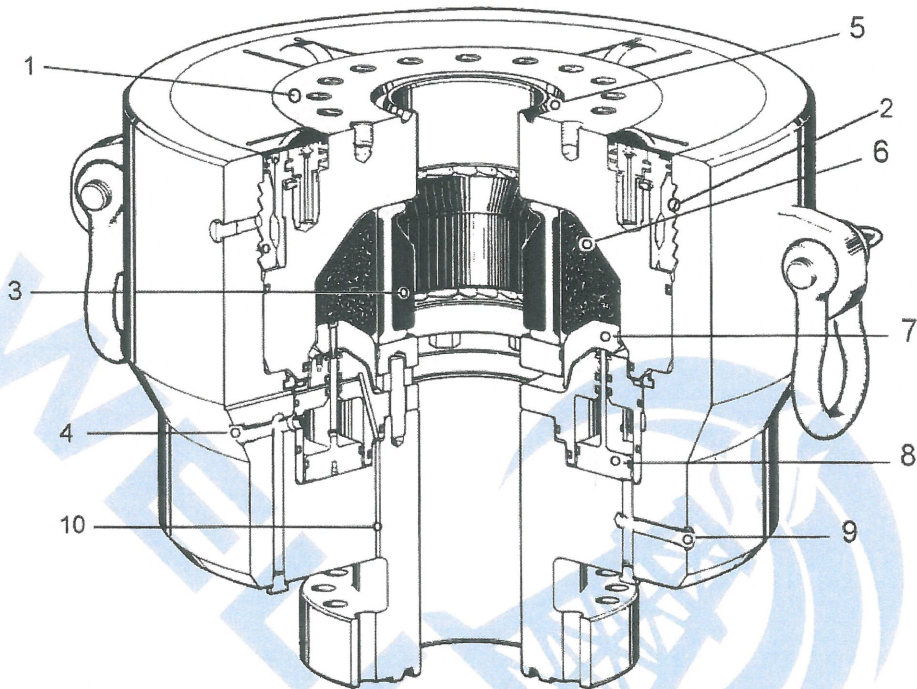


**Cameron Model DL Annular**



Identify the following parts from the diagram above:

- a)           Piston
- b)           Quick-Release Top
- c)           Hydraulic Opening port
- d)           Hydraulic Closing port
- e)           Donut
- f)           Packer Insert
- g)           Pusher Plate
- h)           Locking Grooves
- i)           Weep Hole
- j)           Ring Groove